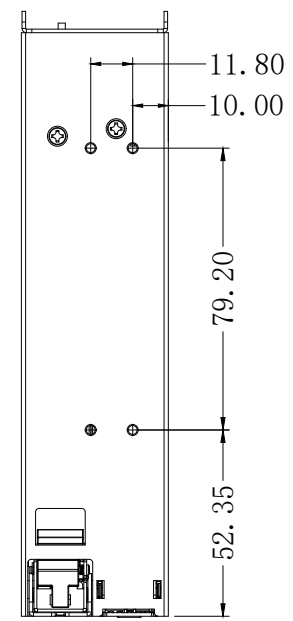
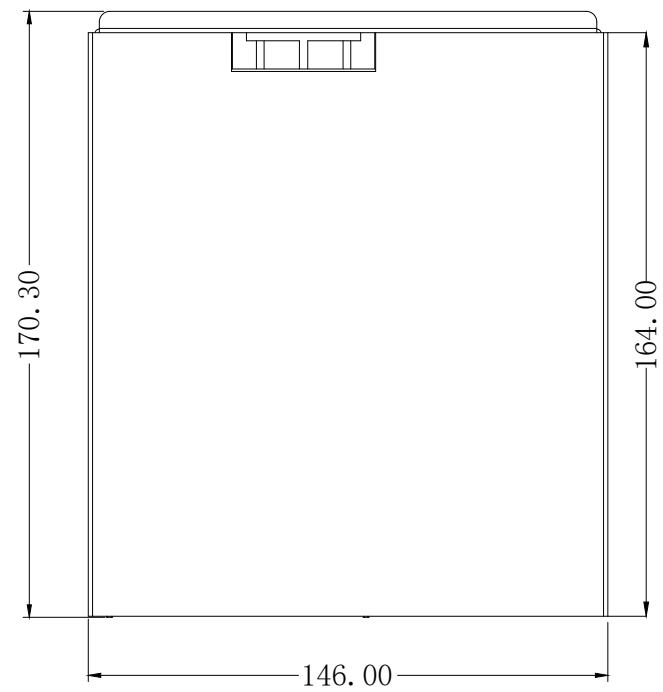
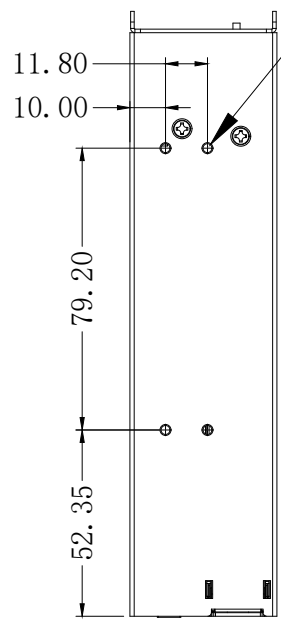
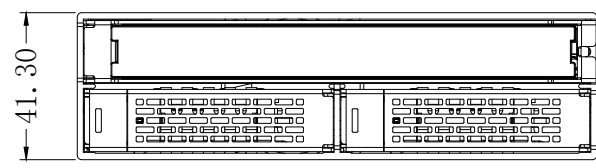
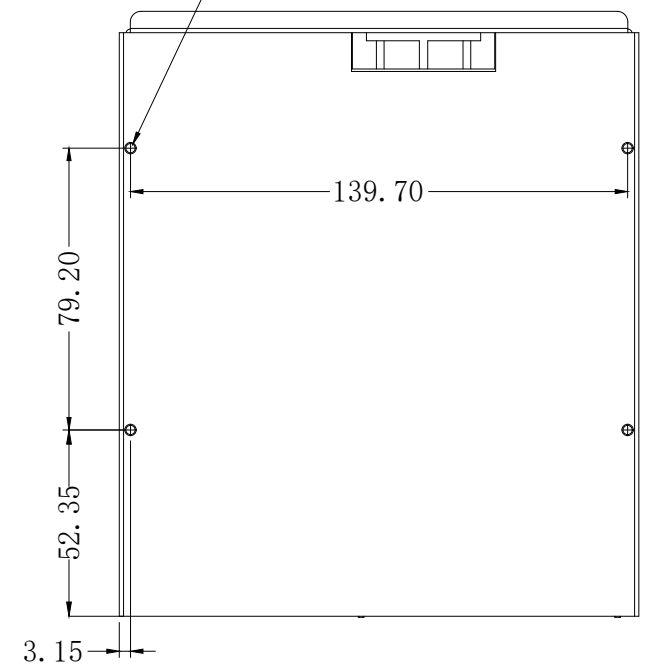


8-M3*2.5(Suggest screw size)



4-M3*2.5(Suggest screw size)



CREMAX TECH CO., LTD.				
TITLE MB994IPO-3SB 全组立图		MATERIAL	TOLERANCE X ±0.20 X.X ±0.10 X.XX ±0.05 X° .X" ±0.5"	
DRAWN	DATE 2022/9/15	FINISHED		SCALE 1:1
CHECKED	DATE	PART NO.	UNIT mm	REV.
APPROVED	DATE	DWG. NO.	SHEET 1 OF 1	