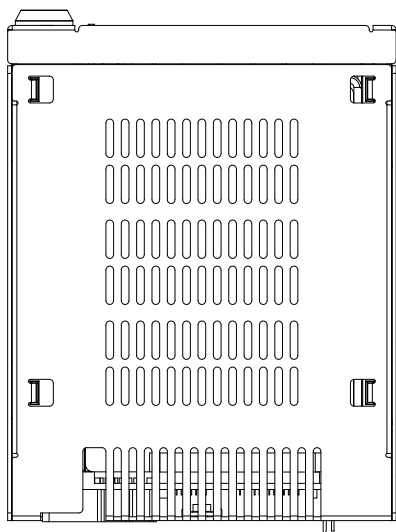
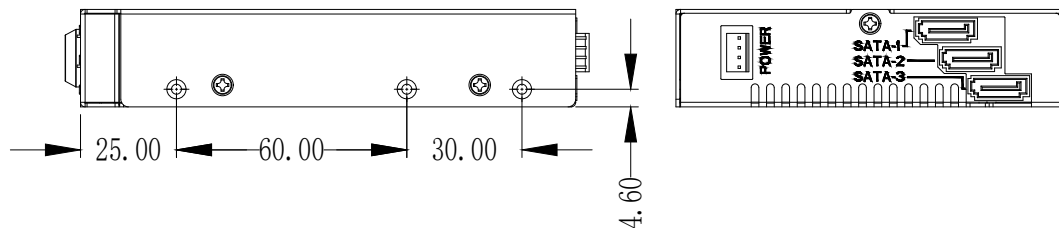
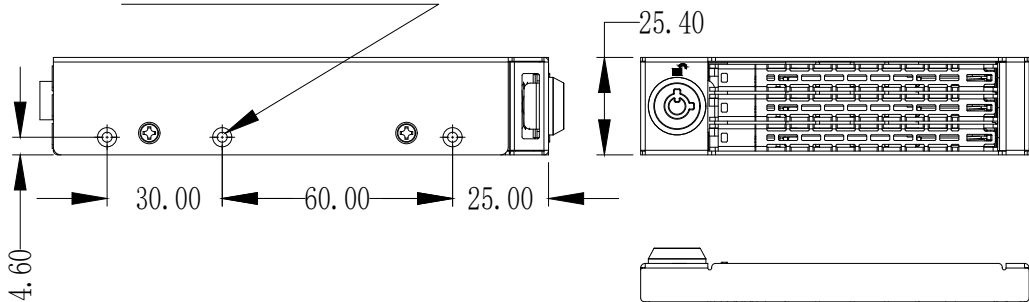


6-M3\*4 (Suggest screw size)



APPLIED MODEL

CREMAX TECH CO., LTD.

TITLE		TOLERANCE	
MB993SK-B 全组立图		X	±0.20
		X.X	±0.10
DRAWN		MATERIAL	
DATE		SCALE	
2022/9/15		1:1	
CHECKED	DATE	PART NO.	UNIT
			mm
APPROVED	DATE	DWG. NO.	REV.
			SHEET 1 OF 1