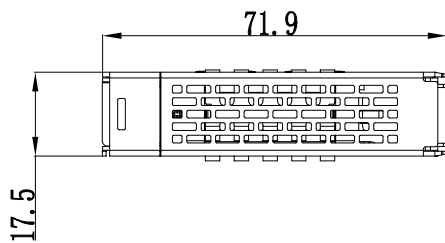
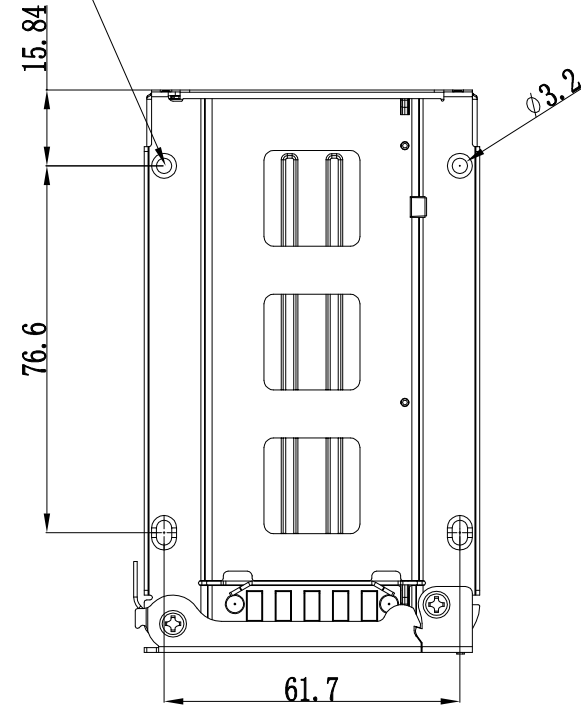
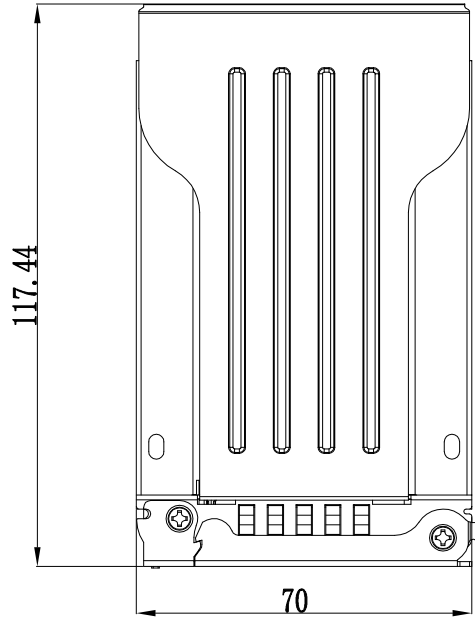
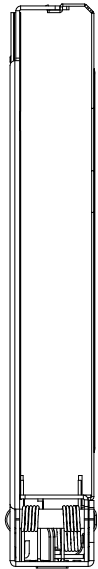


M3*4
(Suggest screw size)



APPLIED MODEL

CREMAX TECH CO., LTD.

TITLE		TOLERANCE	
MB991TRAY-B 组立图			X ±0.20 X.X ±0.10 X.XX ±0.05 X'.X' ±0.5"
			MATERIAL
DRAWN	DATE	FINISHED	SCALE
CHECKED	DATE	PART NO.	UNIT mm
APPROVED	DATE	DWG. NO.	SHEET 1 OF 1