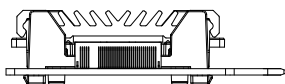
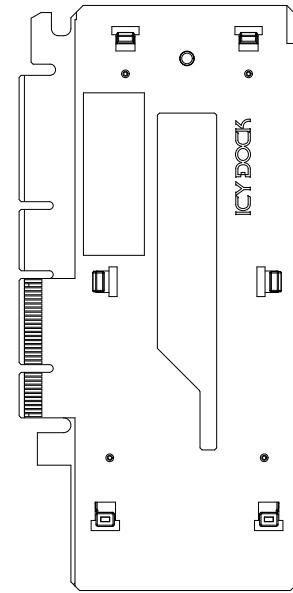
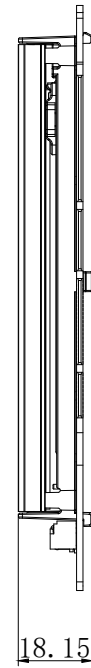
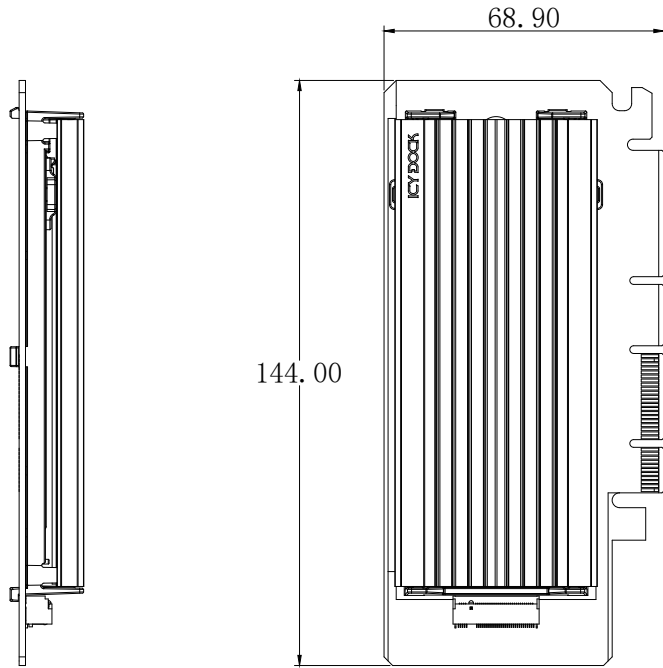
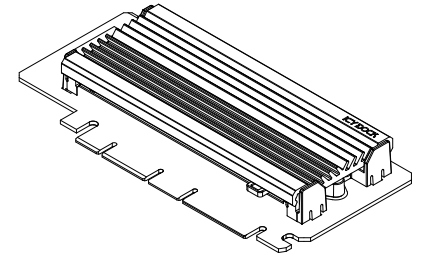
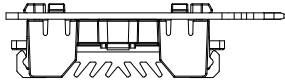


|      |                 |      |          |
|------|-----------------|------|----------|
| MARK | REVISED CONTENT | DATE | APPROVED |
|------|-----------------|------|----------|



|               |
|---------------|
| APPLIED MODEL |
|               |

|                       |            |          |   |       |
|-----------------------|------------|----------|---|-------|
| CREMAX TECH CO., LTD. |            |          |   |       |
| TITLE                 |            |          | TOLERANCE   |       |
| MB987M2P-2B 装配图       |            |          | X ±0.20<br>X.X ±0.10<br>X.XX ±0.05<br>X°.X° ±0.5° |       |
| DRAWN                 | DATE       | FINISHED |   | SCALE |
|                       | 2023.08.15 |          |   | 1:1   |
| CHECKED               | DATE       | PART NO. | UNIT  | REV.  |
|                       |            |          | mm  | 1.0   |
| APPROVED              | DATE       | DWG. NO. | SHEET 1 OF 1                                      |       |
|                       |            |          |   |       |