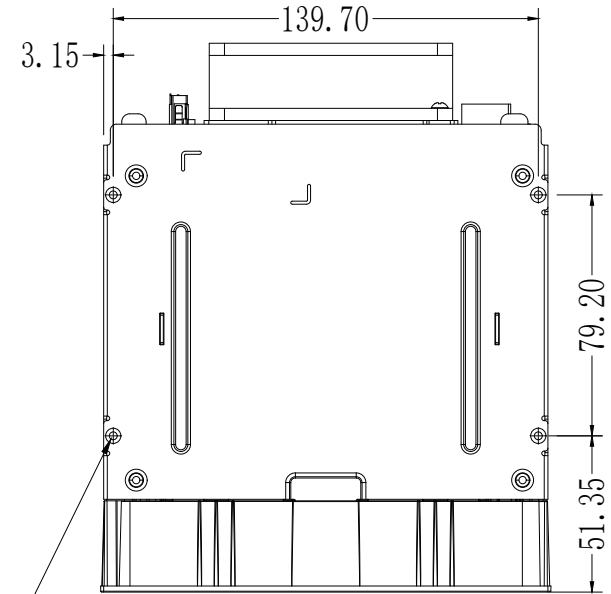
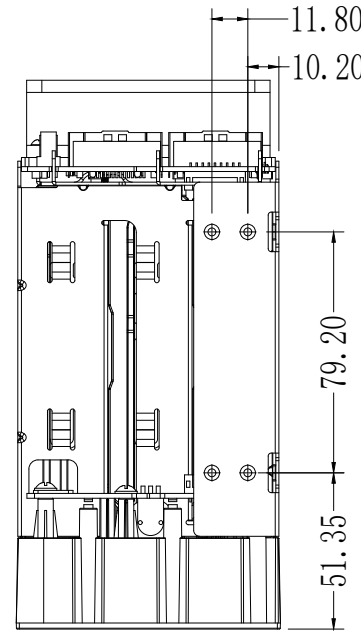
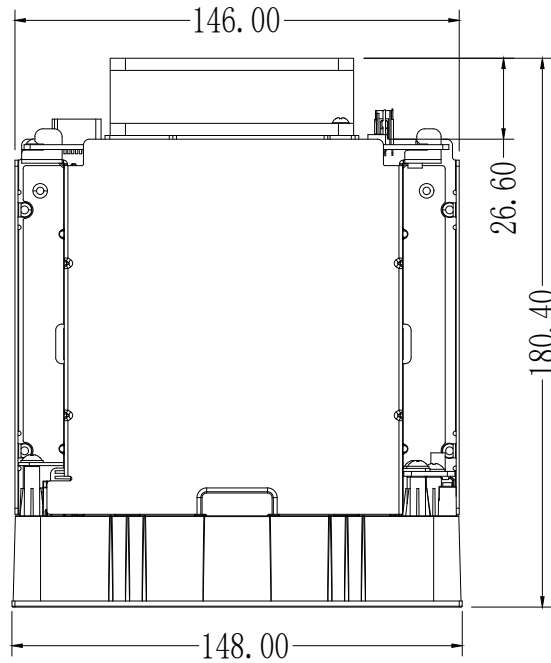
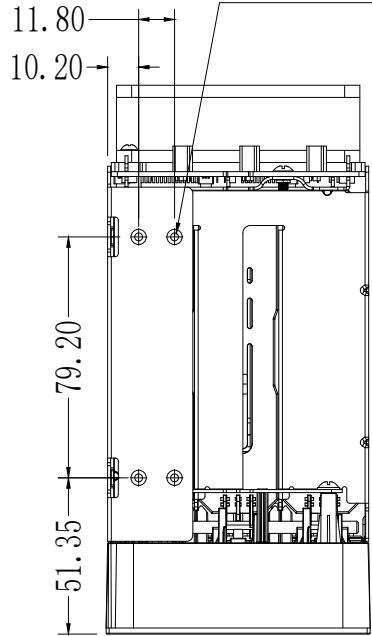
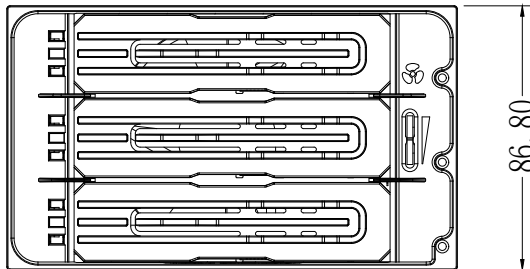


8-M3\*2.5 (Suggest screw size)



4-M3\*2.5 (Suggest screw size)



APPLIED MODEL

CREMAX TECH CO., LTD.

|                |  |               |  |
|----------------|--|---------------|--|
| TITLE          |  | TOLERANCE     |  |
| MB830SP-B 全组立图 |  | 10mm以下 ±0.1   |  |
| DATE           |  | 10-50mm ±0.15 |  |
| 2022/9/15      |  | 50mm以上 ±0.2   |  |
| DATE           |  | X° ±0.5°      |  |
| PART NO.       |  | SCALE         |  |
| UNIT           |  | 1:1           |  |
| mm             |  | REV.          |  |
| APPROVED       |  | DWG. NO.      |  |
| DATE           |  | SHEET 1 OF 1  |  |