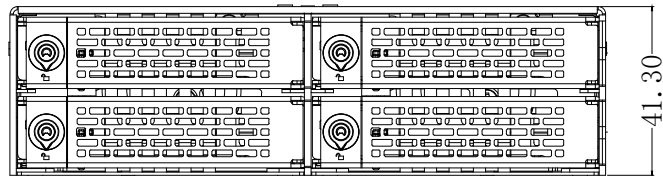
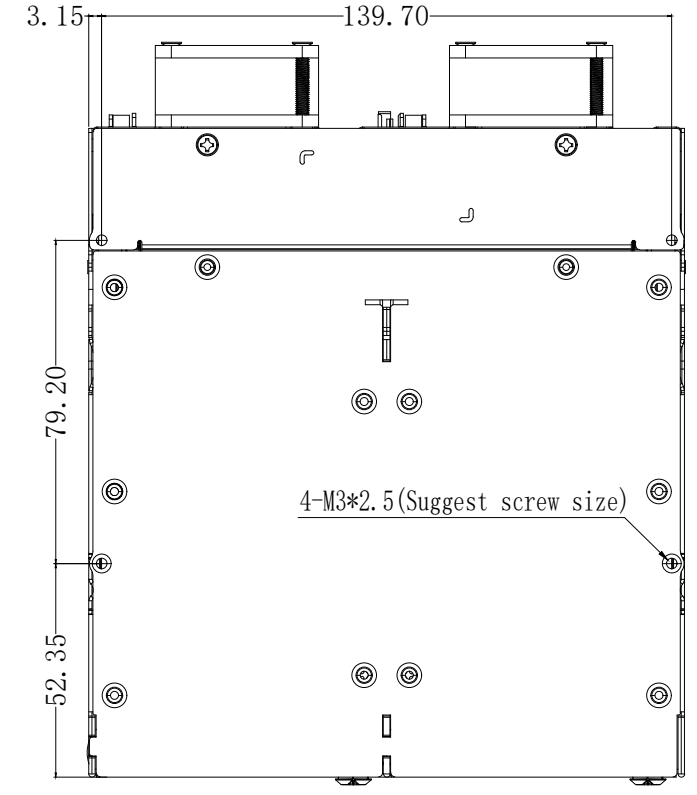
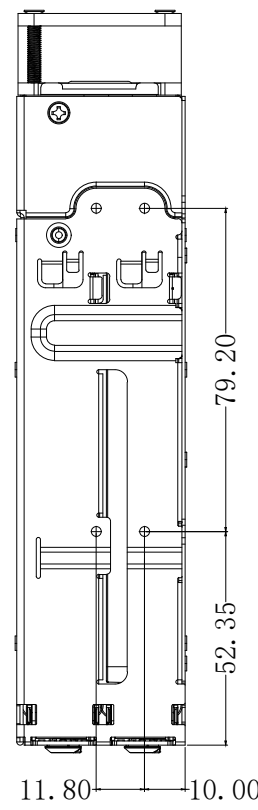
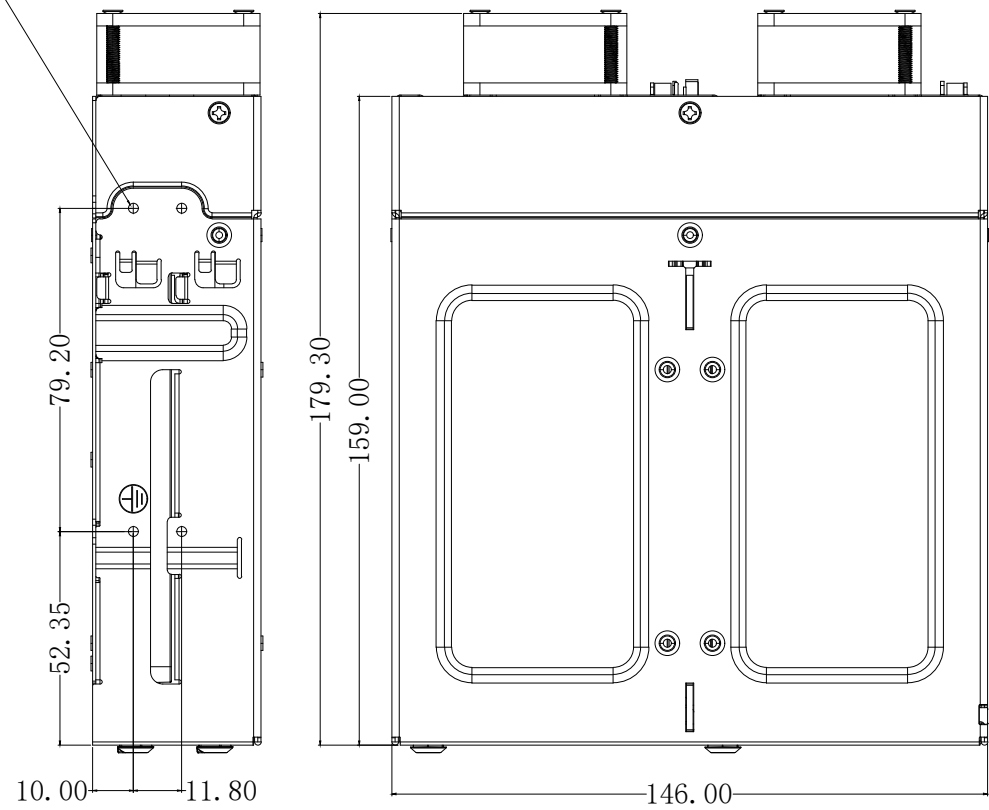


8-M3*2.5 (Suggest screw size)



APPLIED MODEL

CREMAX TECH CO., LTD.				
TITLE		MATERIAL	TOLERANCE	
MB720MK-B V3 全组立图			≤10mm ±0.1 10-50mm ±0.15 ≥50mm ±0.2 * ±0.5°	
DRAWN	DATE	FINISHED	SCALE	
	2023/3/2			
CHECKED	DATE	PART NO.	UNIT	REV.
APPROVED	DATE	DWG. NO.	SHEET	OF