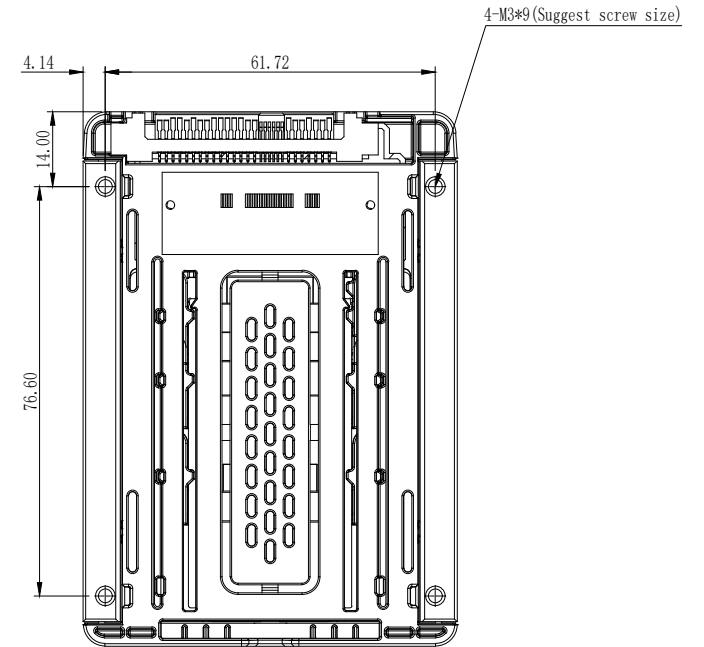
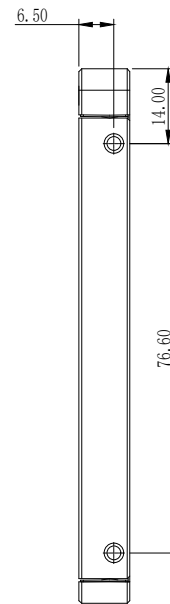
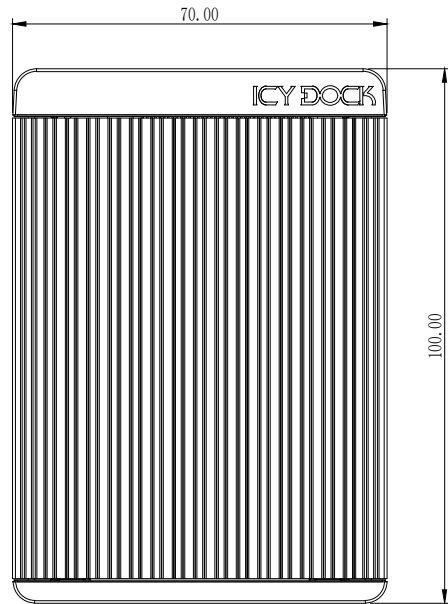
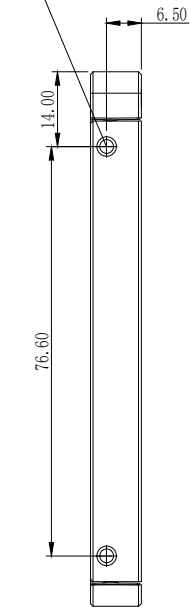


4-M3*9 (Suggest screw size)



APPLIED MODEL

CREMAX TECH CO., LTD.

TITLE MB705M2P-B 全组立图				TOLERANCE 10mm以下 ±0.1 10-50mm ±0.15 50mm以上 ±0.2 X° ±0.5°	
DRAWN	DATE 2023/3/28	FINISHED	SCALE FREE		
CHECKED	DATE	PART NO.	UNIT mm	REV. 1.0	
APPROVED	DATE	DWG. NO.	SHEET 1 OF 1		