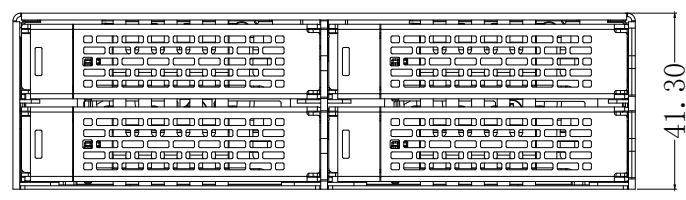
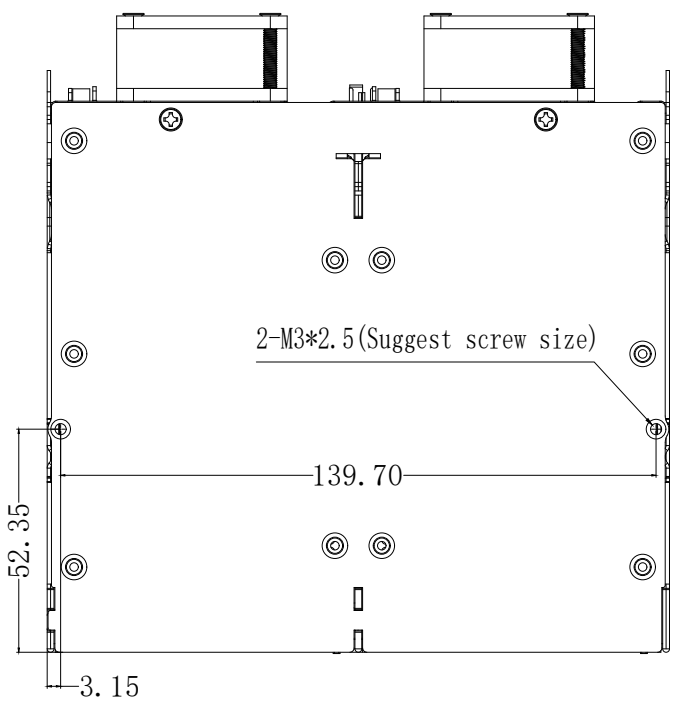
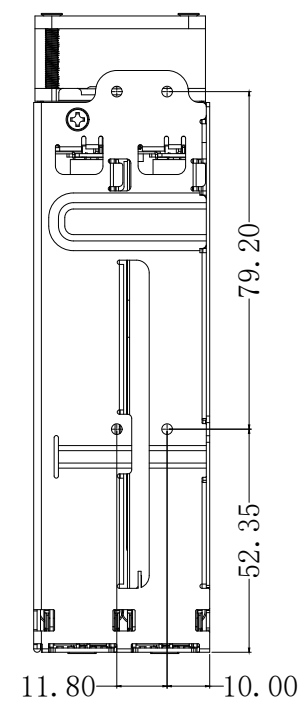
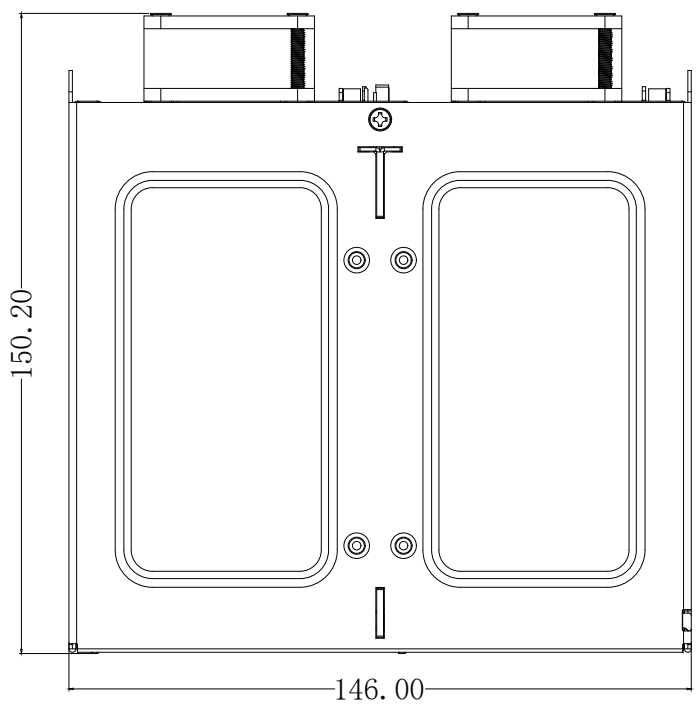
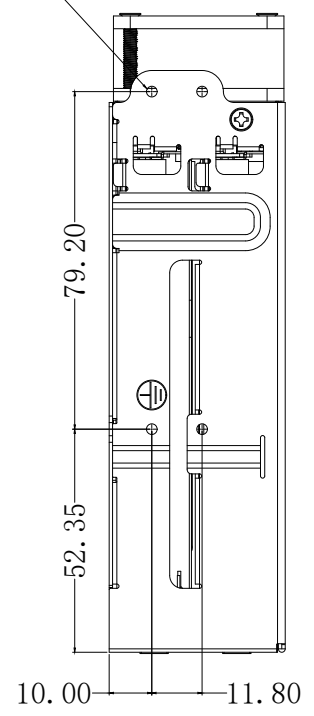
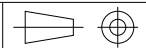


8-M3\*2.5 (Suggest screw size)



APPLIED MODEL

CREMAX TECH CO., LTD.				
TITLE		 MATERIAL		TOLERANCE
MB699VP-B V3 全组立图				10mm以下 ±0.1
DRAWN	DATE	FINISHED		SCALE
CHECKED	DATE	PART NO.	UNIT	REV.
APPROVED	DATE	DWG. NO.	SHEET	OF