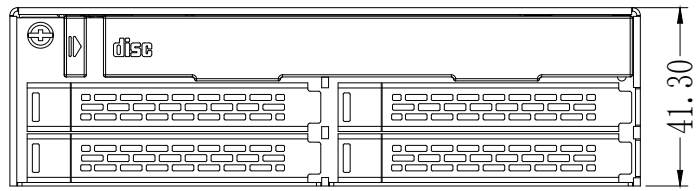
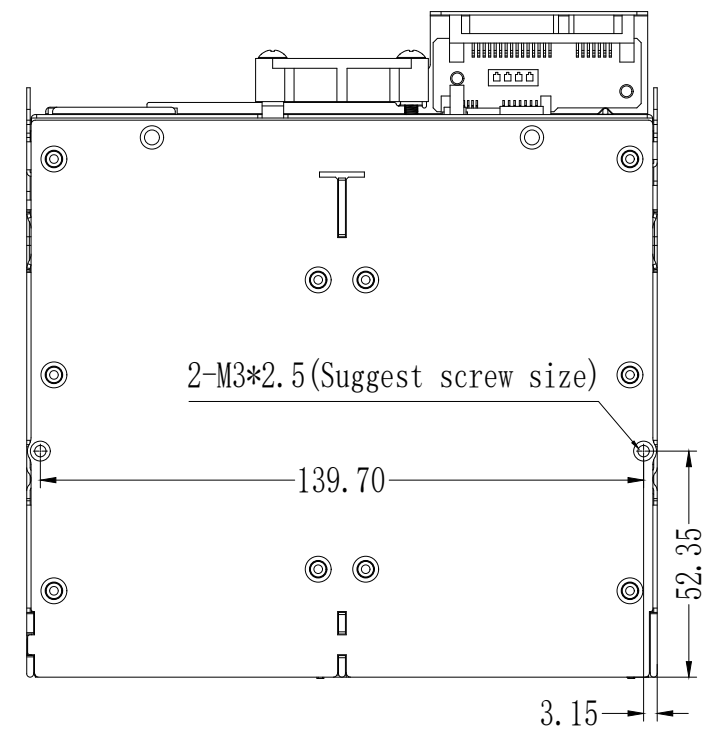
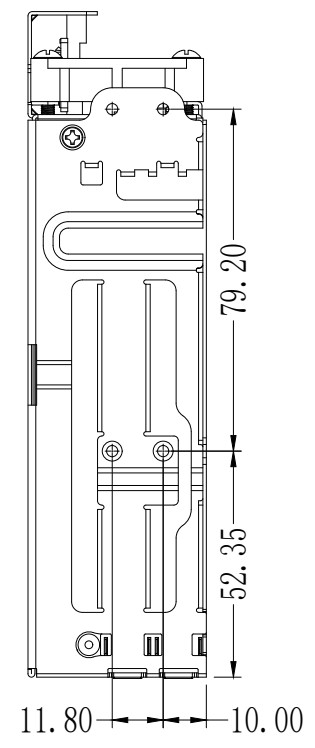
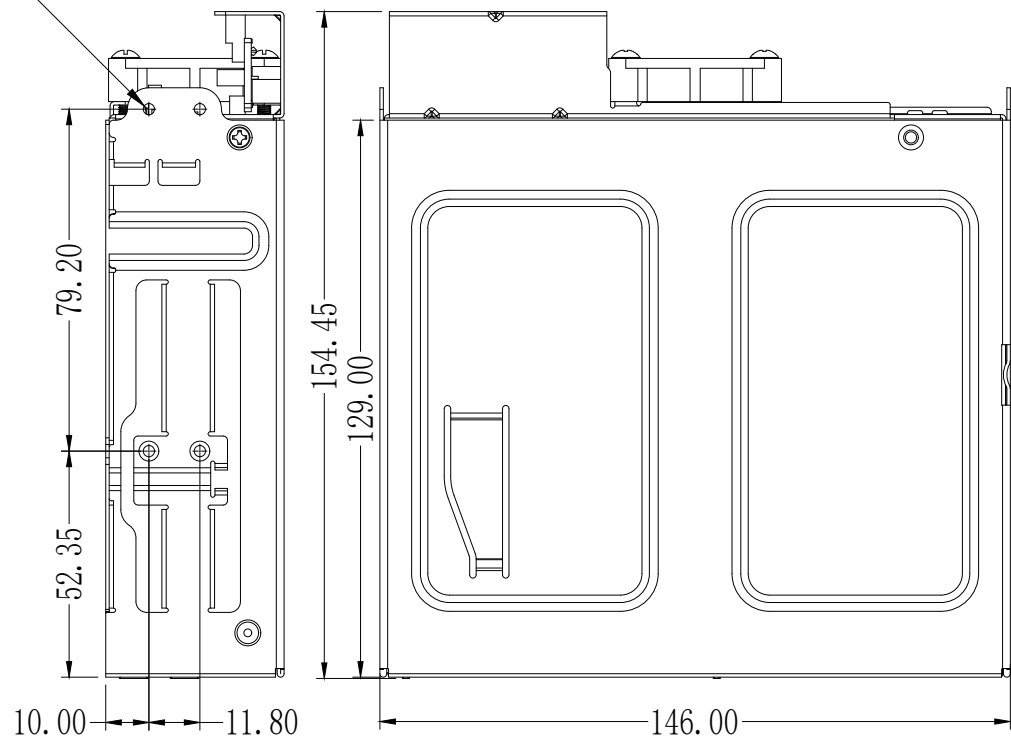


8-M3*2.5 (Suggest screw size)



APPLIED MODEL

CREMAX TECH CO., LTD.				
TITLE MB604SPO-B 全组立图		MATERIAL	TOLERANCE 10mm以下 ±0.1 10-50mm ±0.15 50mm以上 ±0.2 X° ±0.5°	
DRAWN	DATE 2022/9/15	FINISHED		SCALE 1:1
CHECKED	DATE	PART NO.	UNIT mm	REV.
APPROVED	DATE	DWG. NO.	SHEET 1 OF 1	