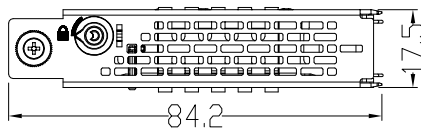
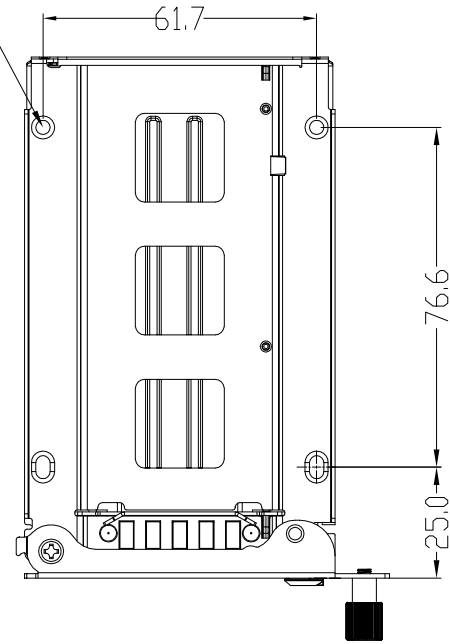
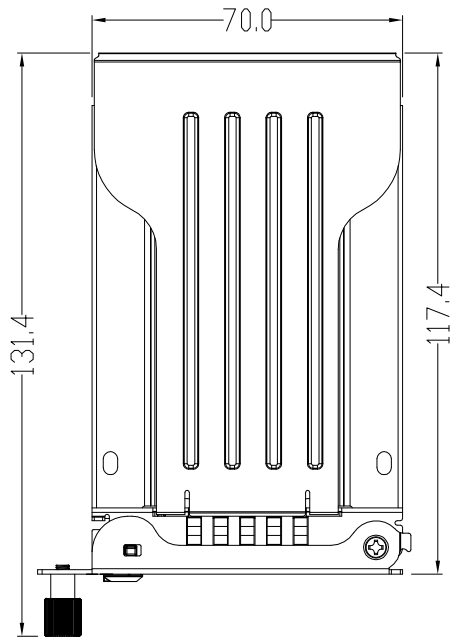
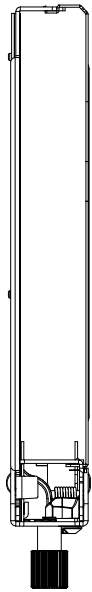
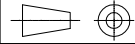


M3*4 (Suggest screw size)



APPLIED MODEL

CREMAX TECH CO., LTD.

TITLE MB491TKL-B_全组立		 MATERIAL		TOLERANCE X.X ±0.3
DRAWN	DATE	FINISHED		SCALE 1:1
CHECHED	DATE	PART NO.	UNIT mm	REV.
APPROVED	DATE	DWG. NO.	SHEET OF	