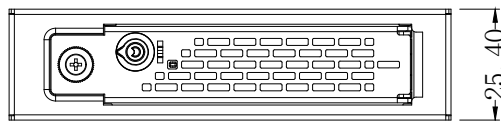
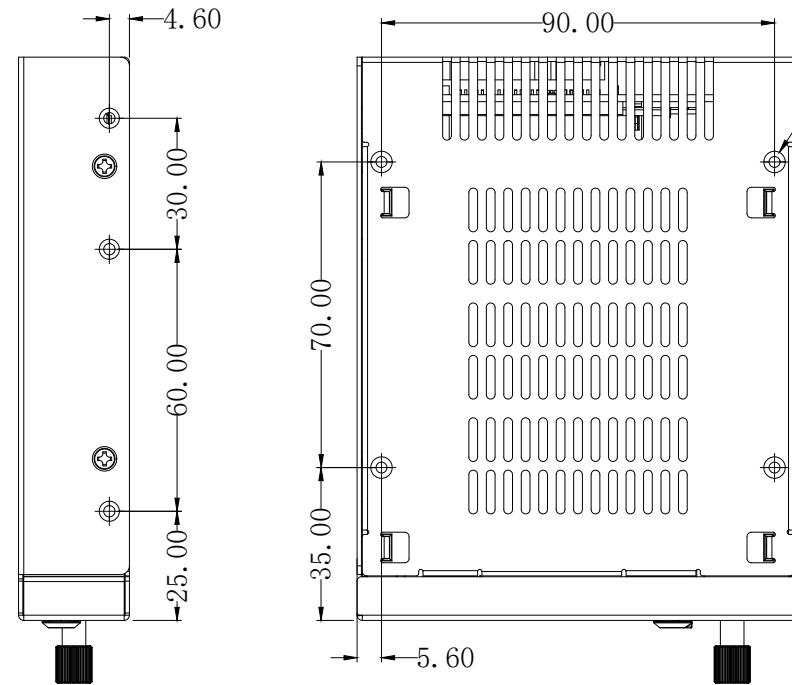
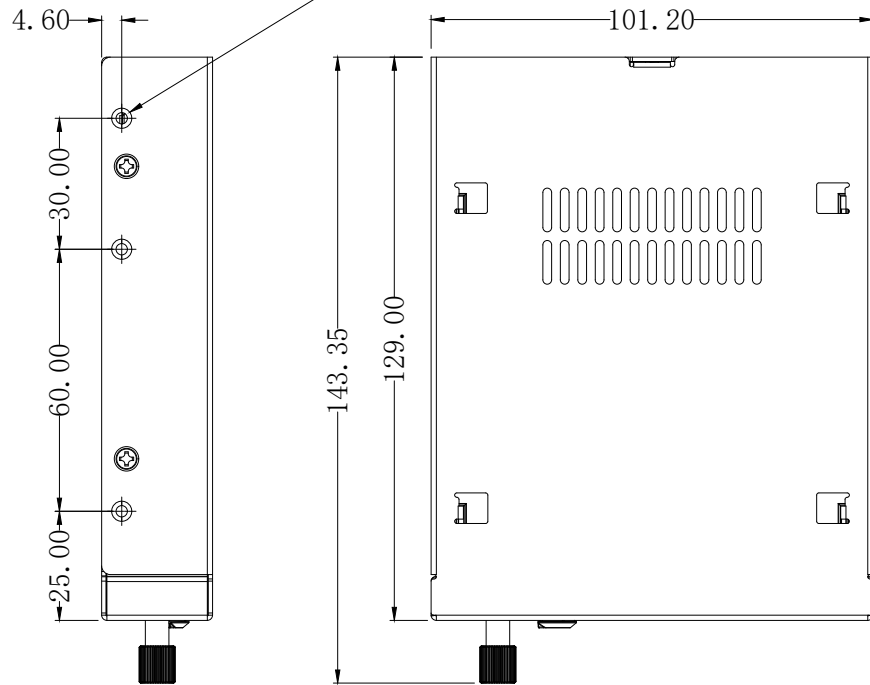


6-M3\*4 (Suggest screw size)

4-M3\*4 (Suggest screw size)



APPLIED MODEL

CREMAX TECH CO., LTD.

TITLE		MATERIAL		TOLERANCE	
MB491SKL-B 全组立图				X.X ±0.3	
DRAWN	DATE	FINISHED		SCALE	
	2022/9/15				
CHECKED	DATE	PART NO.	UNIT	REV.	
			mm		
APPROVED	DATE	DWG. NO.	SHEET OF		