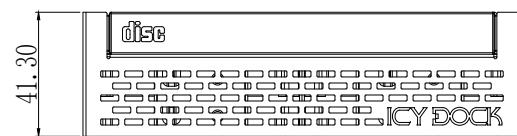
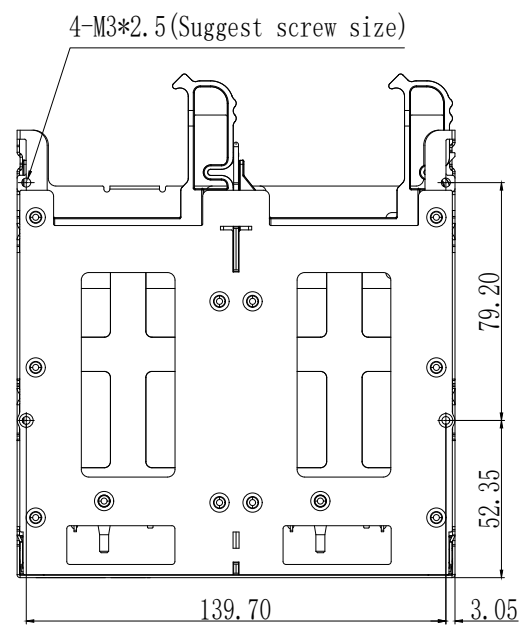
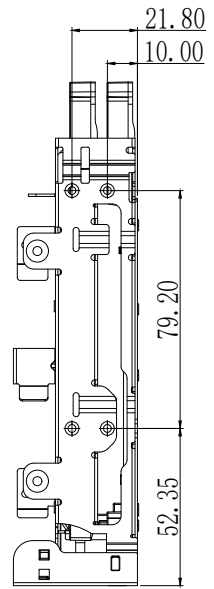
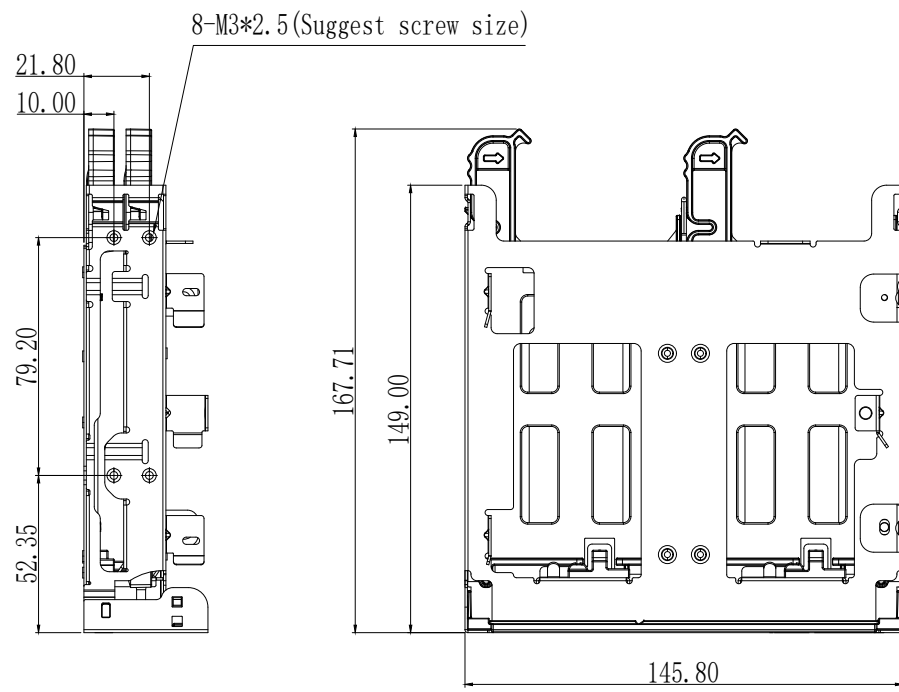
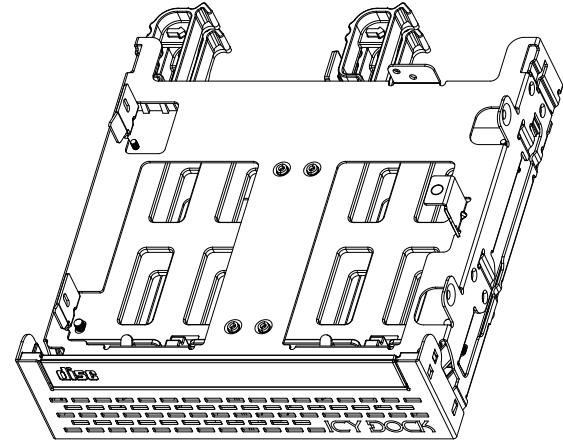
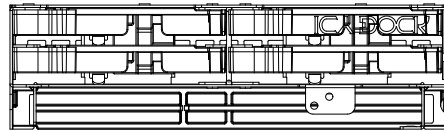


MARK	REVISED CONTENT	DATE	APPROVED
------	-----------------	------	----------



APPLIED MODEL
---------------

CREMAX TECH CO., LTD.			
TITLE MB344SP0全组立图		TOLERANCE X.X ±0.20	
DRAWN	DATE 2022/9/15	FINISHED	SCALE 1:1
CHECHED	DATE	PART NO.	UNIT mm
APPROVED	DATE	DWG. NO.	SHEET 1 OF 1