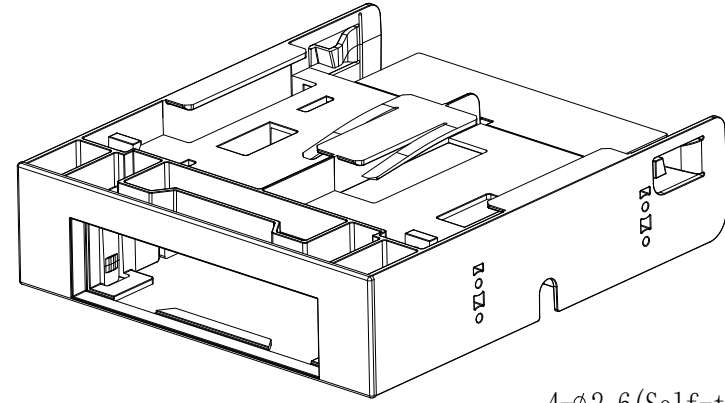
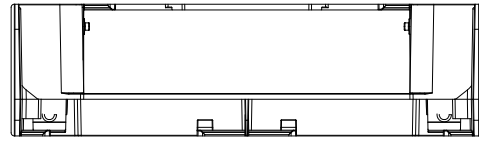
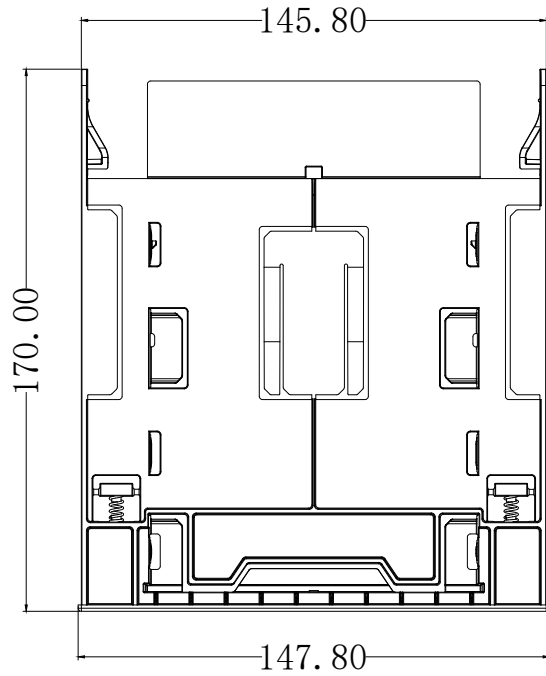
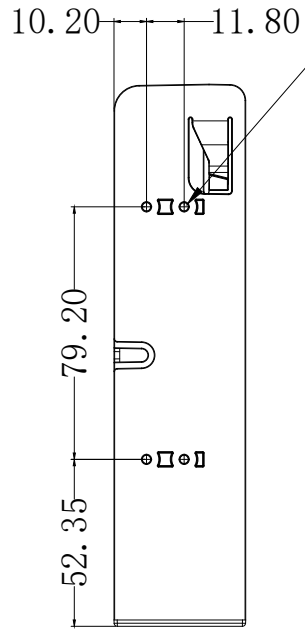


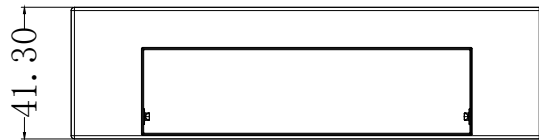
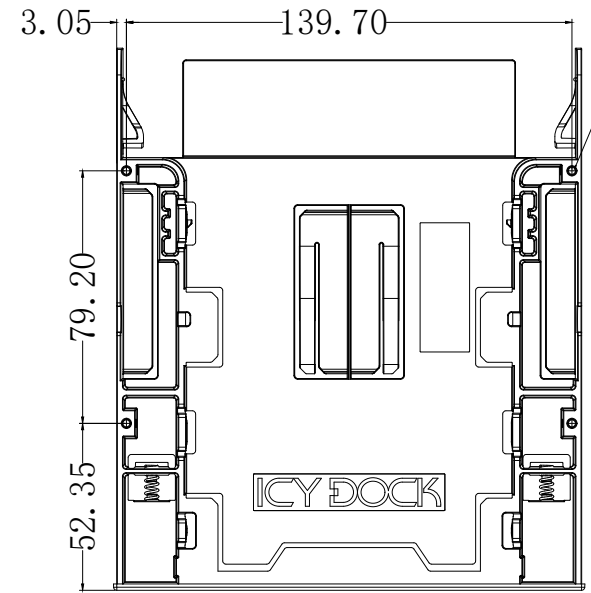
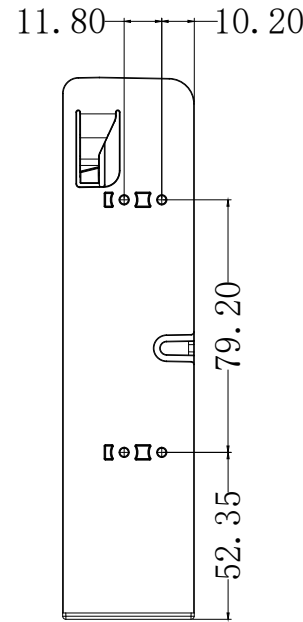
MARK	REVISED CONTENT	DATE	APPROVED
------	-----------------	------	----------



8- $\phi$ 2.6 (Self-tapping screw only)



4- $\phi$ 2.6 (Self-tapping screw only)



APPLIED MODEL

CREMAX TECH CO., LTD.

TITLE MB343SP 全组立图		TOLERANCE X.X ±0.3	
DRAWN	DATE 2022/9/15	FINISHED	SCALE 1:1
CHECKED	DATE	PART NO.	UNIT mm
APPROVED	DATE	DWG. NO.	REV. 1.0
SHEET 1 OF 1			