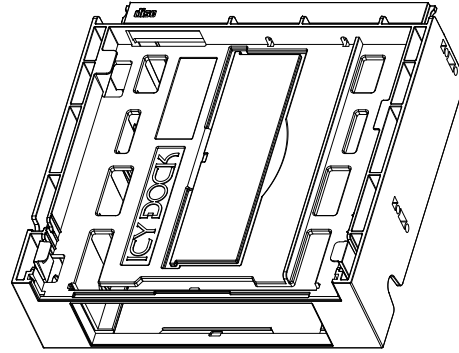
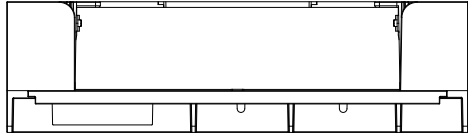
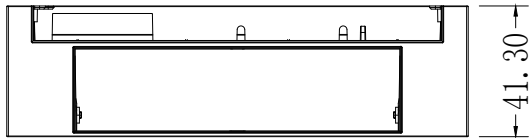
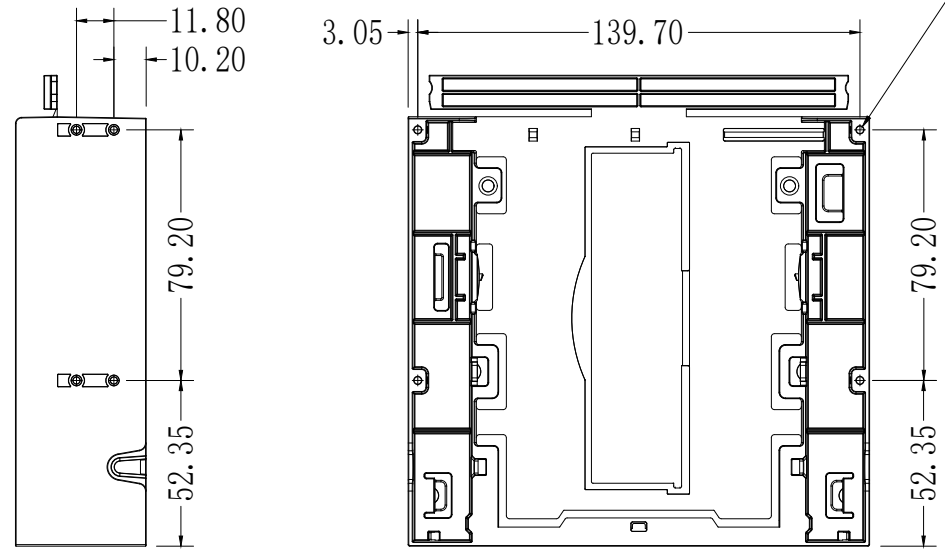
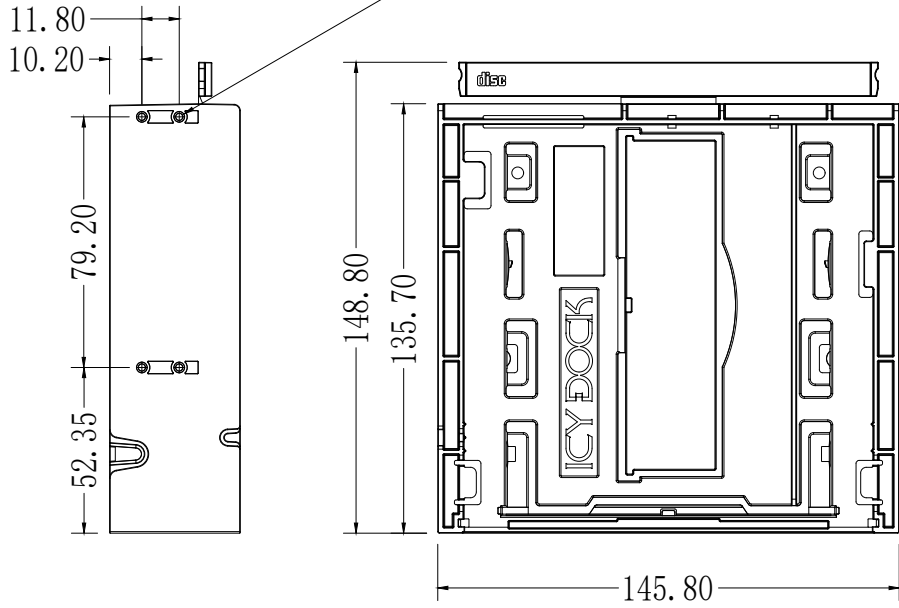


MARK	REVISED CONTENT	DATE	APPROVED
------	-----------------	------	----------



8- ϕ 2.6(Self-tapping screw only)

4- ϕ 2.6(Self-tapping screw only)



APPLIED MODEL

CREMAX TECH CO., LTD.				
TITLE MB343SP0 全组立图				TOLERANCE X.XX ±0.15
DRAWN	DATE 2022/9/15	FINISHED		SCALE 1:1
CHECKED	DATE	PART NO.	UNIT mm	REV.
APPROVED	DATE	DWG. NO.	SHEET 1 OF 1	