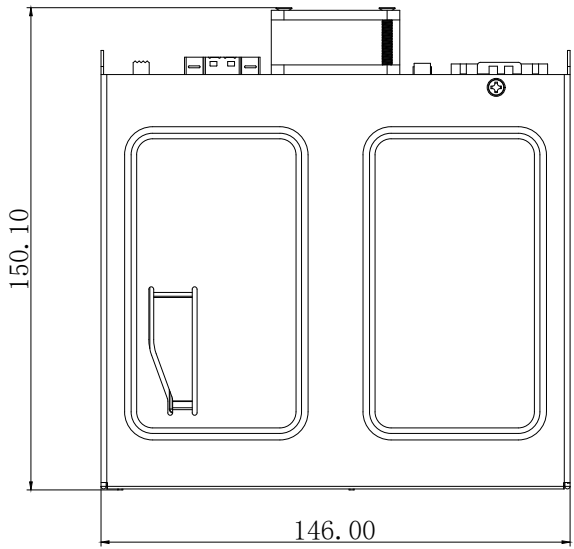
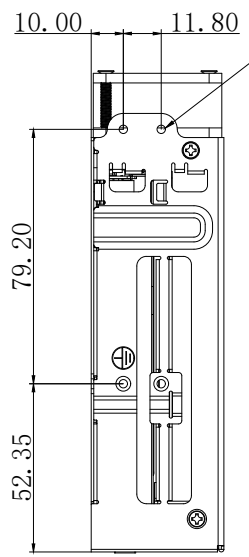
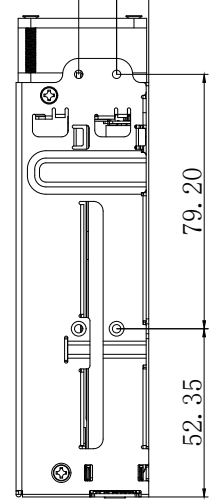


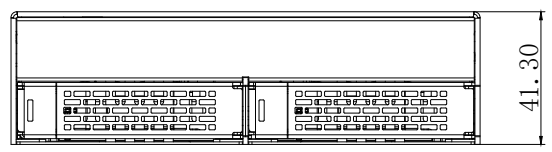
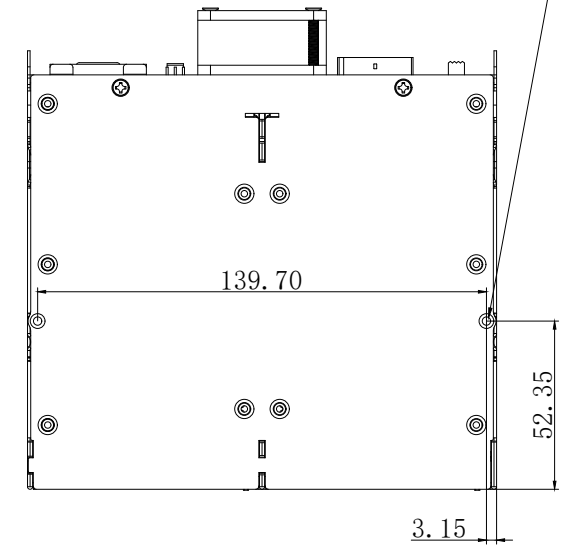
8-M3*2.5(Suggest screw size)



11.80 10.00



2-M3*2.5(Suggest screw size)



APPLIED MODEL

CREMAX TECH CO., LTD.

TITLE MB105VP-B 全组立图		MATERIAL		TOLERANCE X ±0.20 X.X ±0.10 X.XX ±0.05 X*.X* ±0.5*	
DRAWN 宋新平	DATE 2022.6.29	FINISHED		SCALE 1:1	
CHECHED	DATE	PART NO.	UNIT mm	REV. 1.0	
APPROVED	DATE	DWG. NO.	SHEET 1 OF 1		