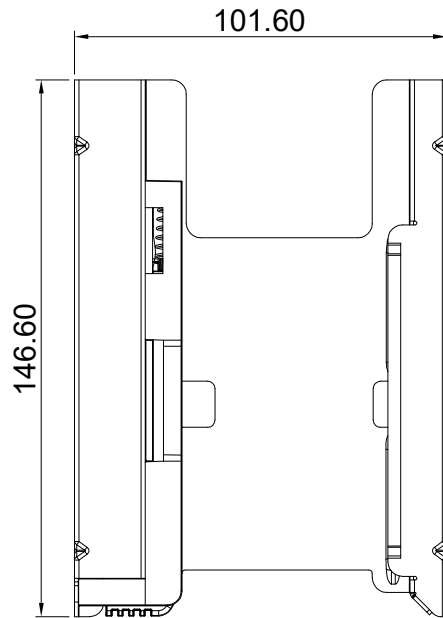
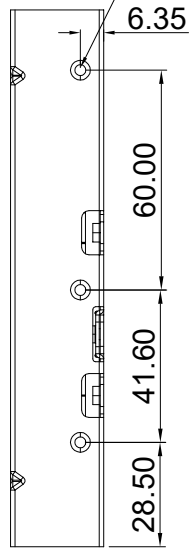
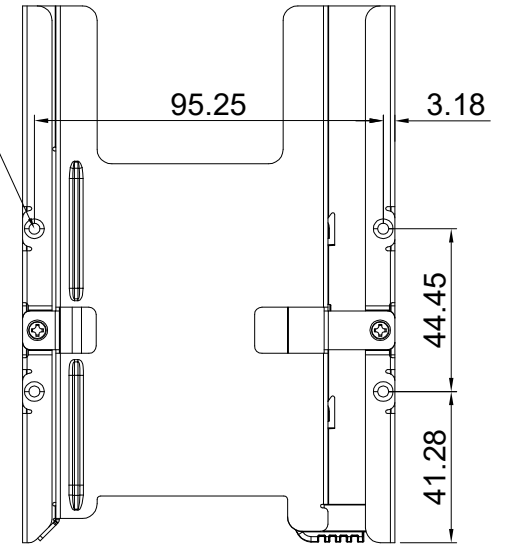
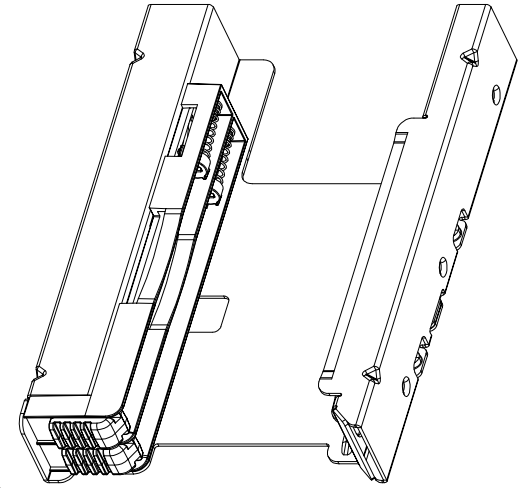
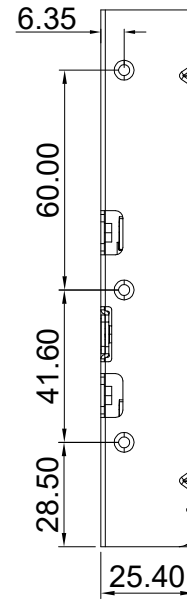


#6-32*6
(Suggest screw size)



#6-32*6
(Suggest screw size)



APPLIED MODEL

CREMAX TECH CO., LTD.

TITLE MB082SP_组立图		MATERIAL		TOLERANCE X ±0.20 XX ±0.10 XXX ±0.05 XXX ±0.05	
DRAWN	DATE	FINISHED		SCAL	
CHECKED	DATE	PART NO.		UNIT	REV.
APPROVED	DATE	DWG. NO.		SHEET OF	